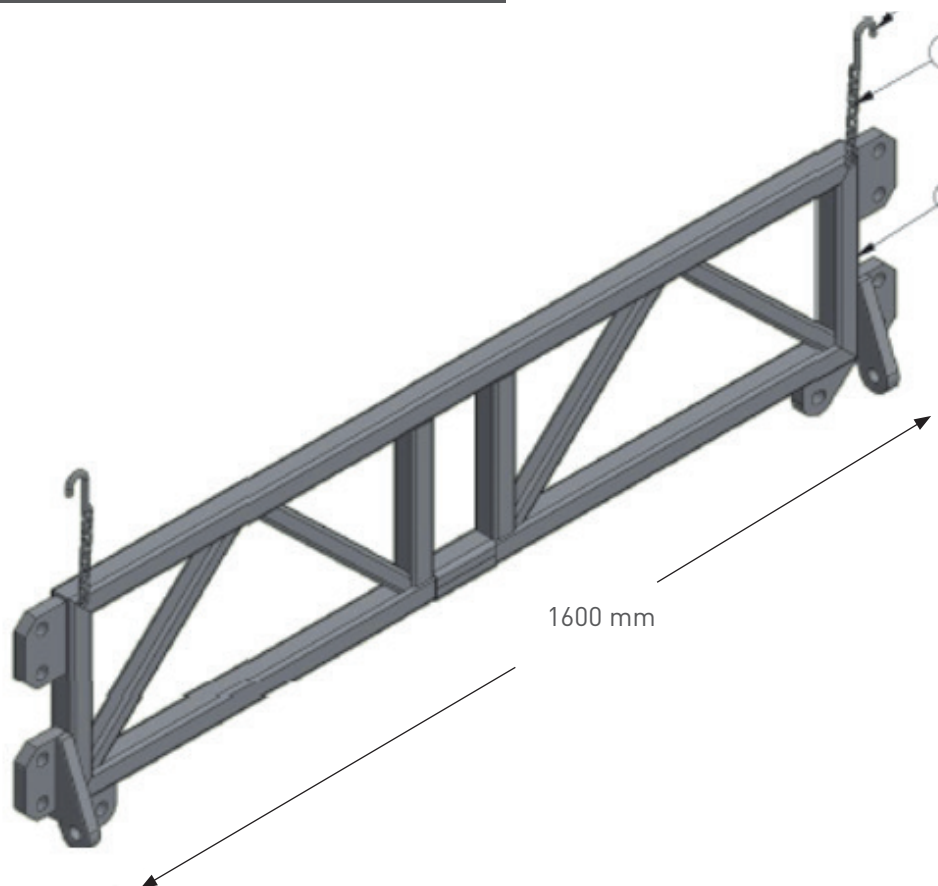


ENERGY Rig™

A new lifting tool adapted for scaffolding

ENERGY Rig™ is compatible with most scaffolding systems, and is easily assembled by authorized scaffolding personnel. This makes the lifting process more efficient saves costs and reduces the risk for incorrect lifts.



In the oil and gas industry smaller rig arrangements often consist of scaffolding materials with lifting points placed on ledge beam. This solution may in some cases be limited related to WLL (Working Load Limit). A weight calculation for lift operations must consider the dynamic capacity of the scaffolding and include the safety margin. Challenges arise when usage imposes overload on the scaffolding components.

For heavier lifts, more complex scaffolding must be applied. This requires more engineering, planning and use of calculation resources.

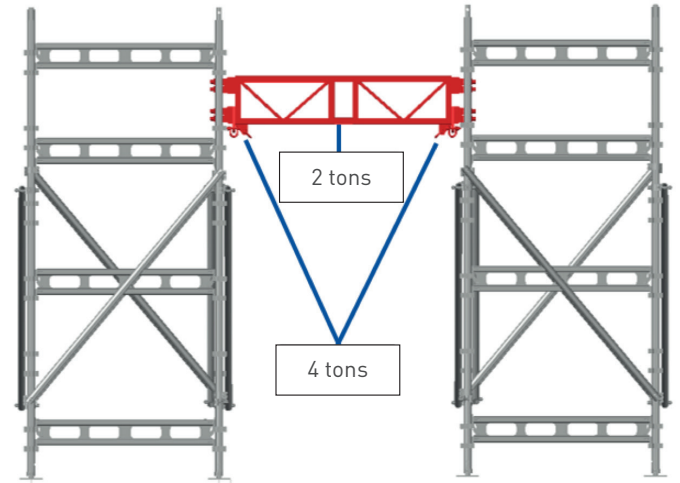
ENERGY Rig™ will be the appropriate solution to all these challenges.

ENERGY Rig™ is compatible with most scaffolding systems, and is easily assembled by authorized scaffolding personnel.

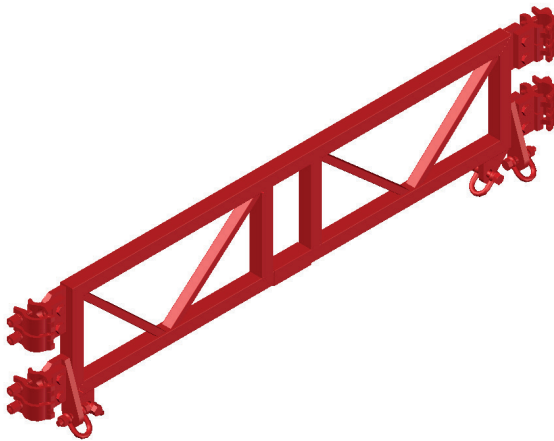
ENERGY Rig™ makes the lifting process more efficient, saves costs and reduces the risk for incorrect lifts.

ENERGY Rig™ advantages

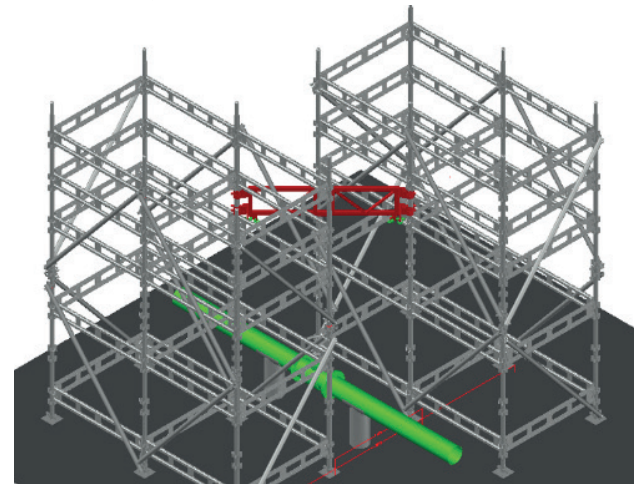
- Certified lifting tool up to 4 tons
- Reduces risk during lifting operations
- Saves total costs
- Easy to adapt to scaffolding
- Easy to verify documentation and approve
- Provides flexibility
- Short installation time – more efficient
- Low tool handling weight <25kg
- Short time for dismantling
- Can be mounted in pairs for increased flexibility



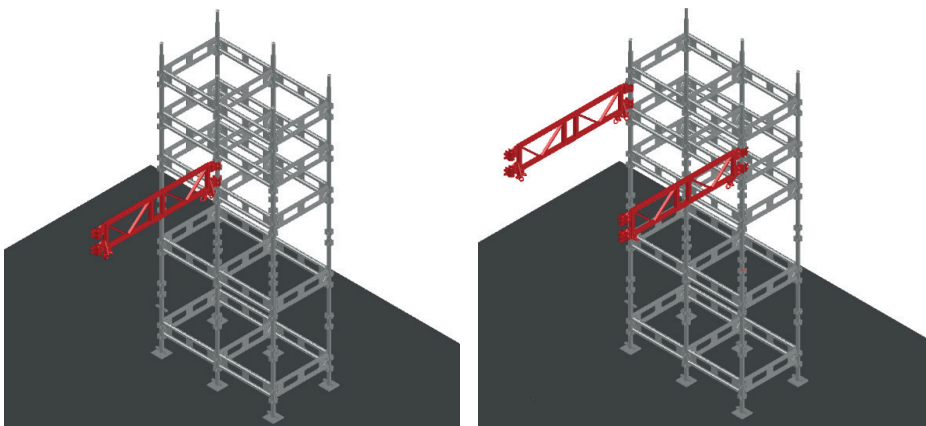
ENERGY Rig™ Certified up to 4 tons



The ENERGY Rig™ tool reduces risks during lifting operations



ENERGY Rig™ integrated in the scaffolding for safe lifts. Offset scaffolding facilitates flexible installation.



ENERGY Rig™ mounted in pairs gives more control