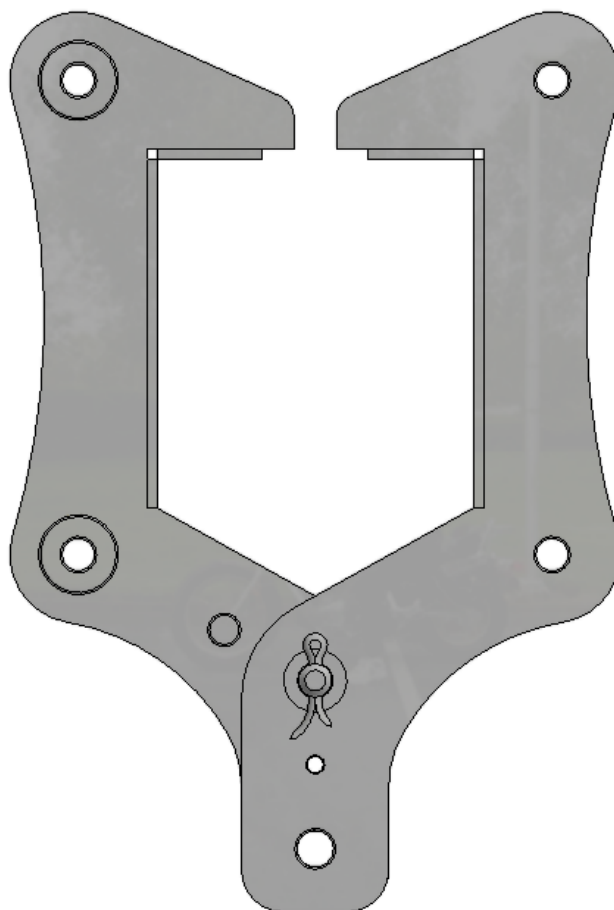


## ENERGY Grip™ - Scaffolding beam clamp

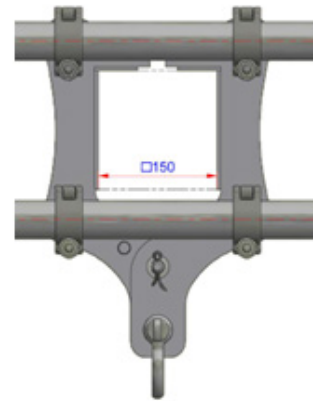
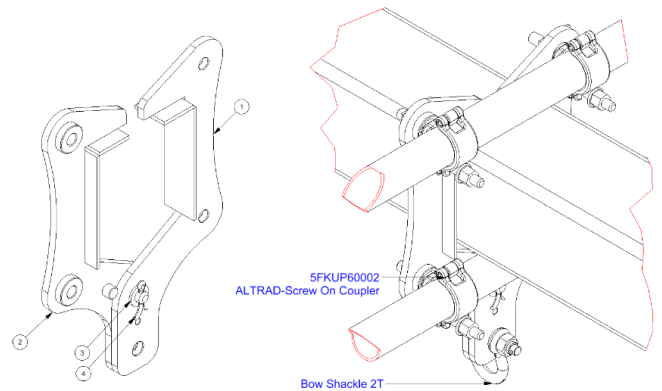
New platforms and installations usually operate with square steel structure; RHS-profiles. ENERGY Grip™ is designed for handling RHS-profiles, as a suspension for H-profiles of same size and for L-profiles, if the horizontal top of the profile is the highest point. Previously it has been solved by using short-linked chain, an expensive solution that can cause damage on painted surface of the structure.



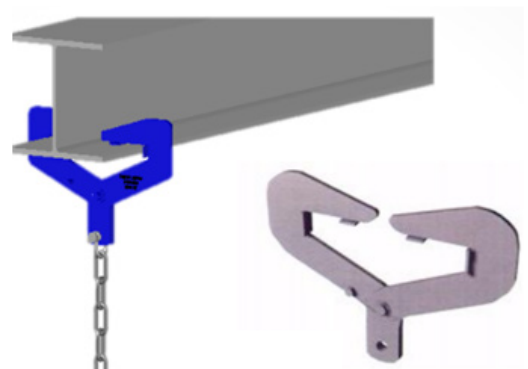
ENERGY Grip™ is also integrated with a feature that meet the time challenge and risk related to work with small components in height (dropped objects). Clips and pipes are now replaced with ENERGY Grip™ and the capacity for fastening increases.

## Advantages ENERGY Grip™

- Reduce use of small components in height (dropped objects)
- Side fastening in square profiles
- Easy to assemble
- Large capacity for fastening points
- Low risk related to assembly
- Cost-effective solution
- Designed for square profiles 150x150
- Permission to load 2000 kg



New and improved solution: suspension for RHS profiles – designed for square profiles 150 x150



Today's solution:  
Suspension for H-beam